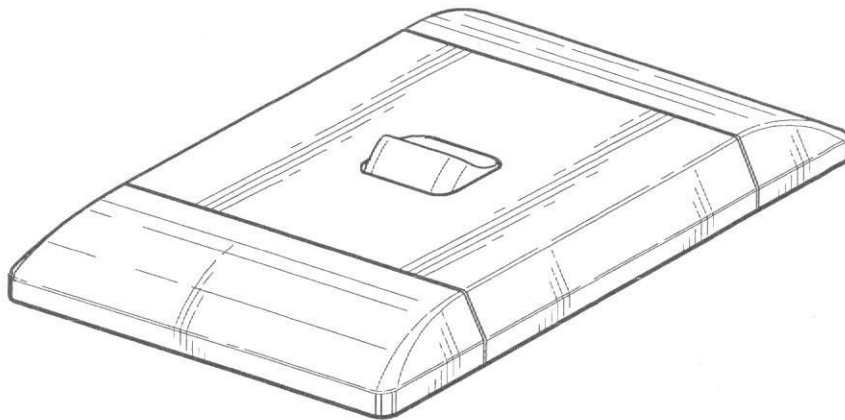
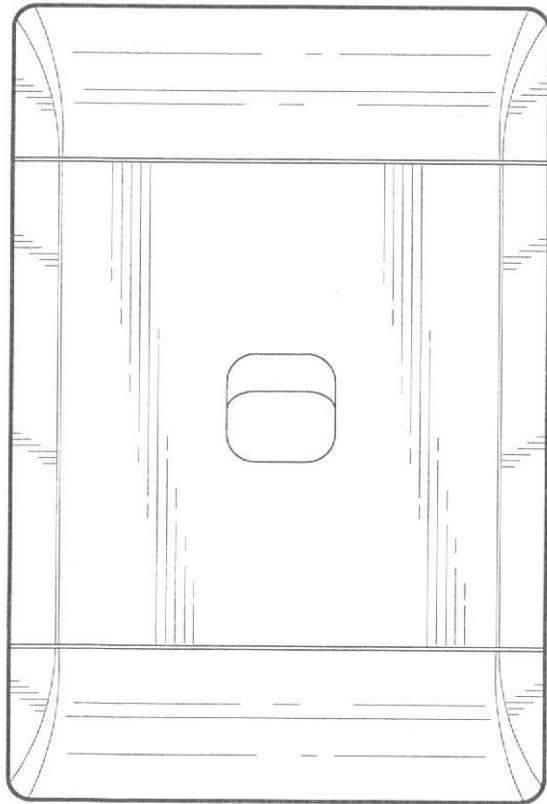


Three-dimensional Exploded View



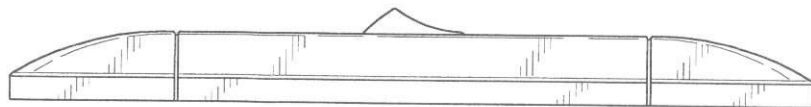
Three-dimensional View



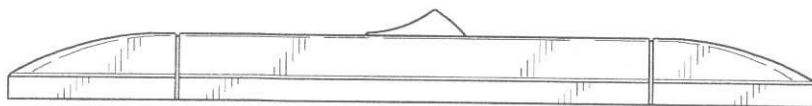
Top View

P. PLA-PILLANS

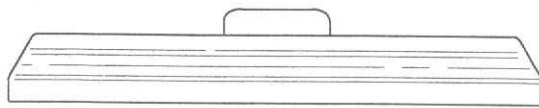
ADAMS & ADAMS
APPLICANT'S PATENT ATTORNEYS



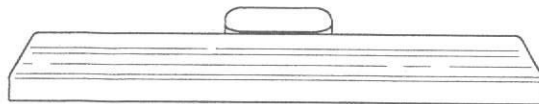
Side View



Opposite Side View



End View



Opposite End View

DESIGN APPLICATION
COPY OF REPRESENTATIONS AS FILED

OUR REF : D6632ZA03

NAME OF APPLICANT : BARDO, Robert Stoneham Andrew

SHORT TITLE : "2x4 Split single lever grid plate – F"

ARTICLES : ELECTRICAL SWITCH ASSEMBLIES

DESIGN APPLICATION NO :
(to follow)

CLASS : 13 PART: F

DATE OF FILING : 24 MARCH 2009

Please keep us promptly advised of any change of address.

ADAMS & ADAMS
PATENT ATTORNEYS AND TRADE MARK AGENTS

	PRETORIA	JOHANNESBURG	CAPE TOWN	DURBAN
Address:	Adams & Adams Place 1140 Prospect Street HATFIELD 0083	3rd Floor 20 Girton Road PARKTOWN 2193	3203 Absa Centre Heerengracht CAPE TOWN 8001	Suite 1, 4 The Crescent Westway Office Park WESTVILLE 3630
Correspondence Address:	PO Box 1014 0001 PRETORIA	PO Box 10155 2000 JOHANNESBURG	PO Box 1513 8000 CAPE TOWN	P O Box 2746 3635 WESTWAY OFFICE PARK
Telephone:	(012) 481-1500	(011) 646-1507	(021) 418-8560	(031) 265-1532
Facsimile:	(012) 362-6440	(011) 642-5082	(021) 419-5729	(031) 265-1537
E-mail:	mail@adamsadams.co.za	jhb@adamsadams.co.za	cpt@adamsadams.co.za	dbn@adamsadams.co.za
URL: A&A P233	http://www.adamsadams.co.za			

DEFINITIVE STATEMENT AND EXPLANATORY STATEMENT
(Regulation 15)

OFFICIAL APPLICATION NO	A&A REF:	DATE OF LODGEMENT
	D6632ZA03	24 MARCH 2009

FULL NAME(S) OF APPLICANT(S)
BARDO, Robert Stoneham Andrew

Classification: **13**Articles to which design is to be applied: **Electrical switch assemblies.**

Release date (if applicable):

Type of design Part A Part F

Definitive statement:

The features of the design for which protection is claimed include the shape and/or configuration of an electrical switch assembly substantially as shown in the accompanying representations, the mounting apertures 'A' not forming an essential part of the design and are specifically disclaimed as forming part of the design protection sought.

Explanatory statement: