

THREE DIMENSIONAL VIEW

21: F2007/01070. 22: 13 June 2007. 23: —.
DR: 2008-06-10.

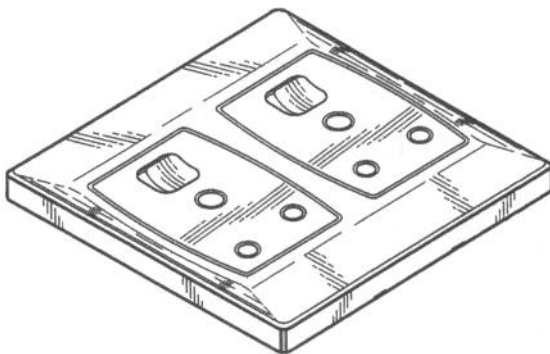
52: Class 13. 24: Part F.

71: Bardo, Robert Stoneham Andrew.

33: —. 31: —. 32: —.

54: **Switched socket grid plates with surround.**

57: The design relates to a switched socket grid plate with surround.



Three-dimensional View

21: F2007/01072. 22: 13 June 2007. 23: —.
DR: 2008-06-10.

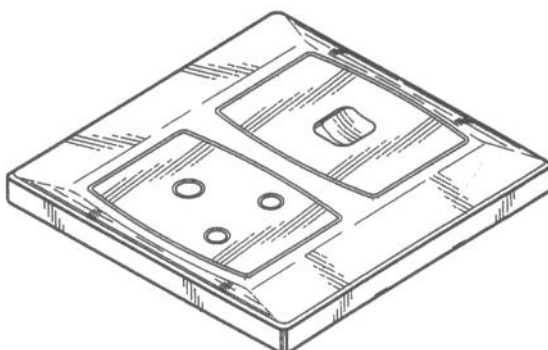
52: Class 13. 24: Part F.

71: Bardo, Robert Stoneham Andrew.

33: —. 31: —. 32: —.

54: **Switched socket grid plates with surround.**

57: The design relates to a switched socket grid plate with surround.



Three-dimensional View

21: F2007/01065. 22: 13 June 2007. 23: —.
DR: 2008-06-10.

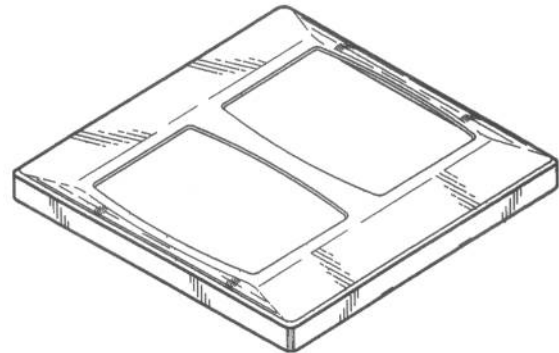
52: Class 13. 24: Part F.

71: Bardo, Robert Stoneham Andrew.

33: —. 31: —. 32: —.

54: **Surrounds for switched socket grid plates.**

57: The design relates to a surround for a switched socket grid plate.



Three-dimensional View

21: F2007/01046. 22: 13 June 2007. 23: —.
DR: 2008-06-10.

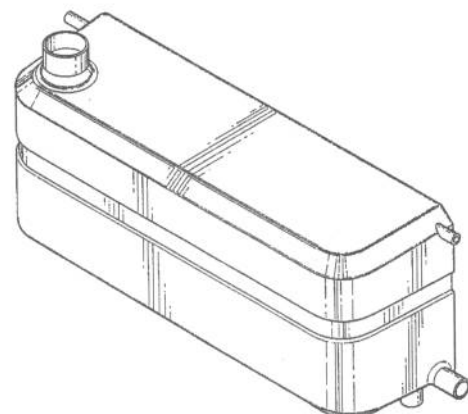
52: Class 23. 24: Part F.

71: Motrade 237 (Proprietary) Limited.

33: —. 31: —. 32: —.

54: **Water tank.**

57: The design is for a water tank. The water tank is generally cuboid, having a large width between end walls and a shallow depth between a front wall and a rear wall. An inlet nozzle and an outlet nozzle are set in a roof and a floor of the water tank respectively. An equalization nozzle is set in each of the end walls adjacent the floor. An overflow nozzle is set in one of the end walls adjacent the roof, while a hose inlet nozzle is set in the opposite end wall adjacent the roof. A mounting groove, extending parallel to the roof, spans the front wall and continues along the end walls to terminate at the rear wall.



21: F2007/01016. 22: 22 June 2007. 23: —.
DR: 2008-06-09.

52: Class 25. 24: Part F.

71: Bresler, Peter.

33: —. 31: —. 32: —.

54: **Tubes.**

57: The design is for a tube comprising two roll-formed parts that are interlocked with one another. The length "L" of the tube does not form an essential part of the design.

21: F2007

DR: 2008-

52: Class

71: Bresle

33: —. 3

54: **Tubes**

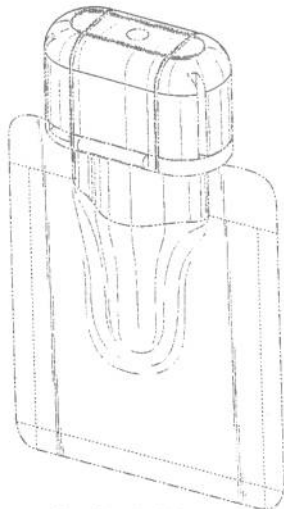
57: The

are interloc

form an es

21: A2007/01029. 22: 2 July 2007. 23: —.
 DR: 2008-06-19.
 52: Class 9. 24: Part A.
 71: McNeil-PPC, Inc.
 33: US. 31: 29/275,224. 32: 18 December 2006.
 54: **Container/cap assemblies.**

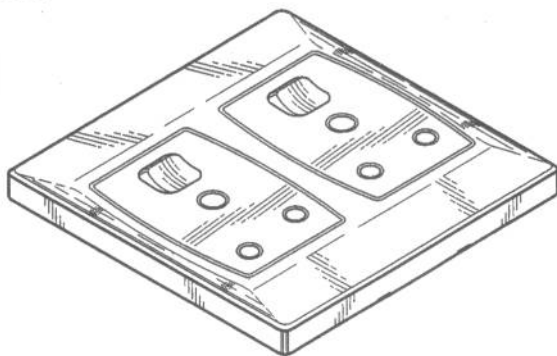
57: The design is for a container and cap assembly having a cap with a flat top surface which is elongate in outline, having a rectangular central portion with semicircular ends. A peripherally extending skirt projects perpendicularly downwards relative to the top surface, the skirt blending into the top surface via a convexly curved border portion surrounding the top surface.



Three dimensional view

21: A2007/01071. 22: 13 June 2007. 23: —.
 DR: 2008-06-10.
 52: Class 13. 24: Part A.
 71: Bardo, Robert Stoneham Andrew.
 33: —. 31: —. 32: —.
 54: **Switched socket grid plates with surround.**

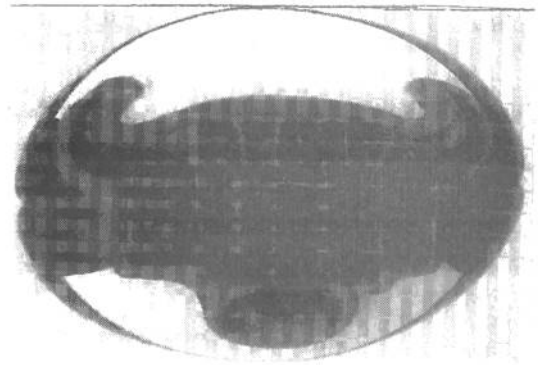
57: The design relates to a switched socket grid plate with surround.



Three-dimensional View

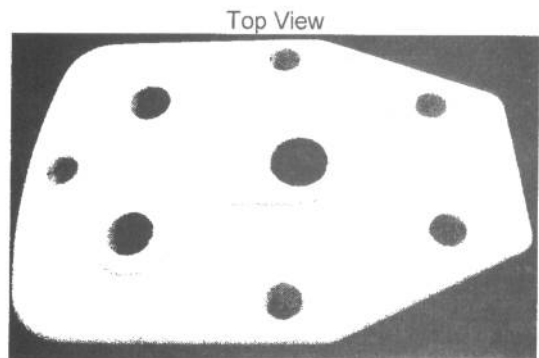
21: A2007/01316. 22: 2007-07-12. 23: 2007-02-01.
 DR: 2008-07-07.
 52: —. 24: Part A.
 71: Michielle Ann Bands.
 33: RSA. 31: —. 32: —.
 54: **Pencil top.**

57: The features of this design for which protection is claimed resides in the shape, configuration, pattern and ornamentation substantially as shown in the accompanying drawings.



21: A2007/01049. 22: 8 June 2007. 23: —.
 DR: 2008-06-10.
 52: Class 13. 24: Part A.
 71: PLA Electrical (Pty) Ltd.
 33: —. 31: —. 32: —.
 54: **Extension cord couplers.**

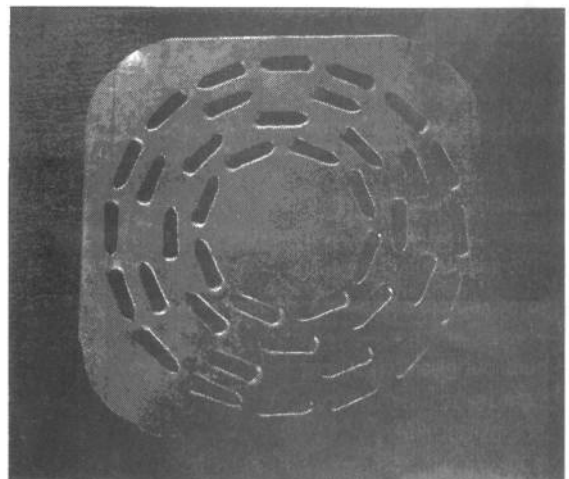
57: The novelty of the design for which protection is claimed resides in the shape and/or configuration of an extension cord coupler substantially as shown.



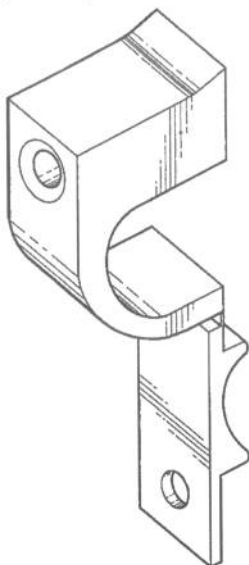
Top View

21: A2007/01019. 22: 1 June 2007. 23: —.
 DR: 2008-06-09.
 52: Class 8. 24: Part A.
 71: Shock Proof Investments 9 (Pty) Ltd.
 33: —. 31: —. 32: —.
 54: **Nail plates.**

57: The novelty of the design for which protection is claimed resides in the shape and/or configuration of a nail plate substantially as shown.



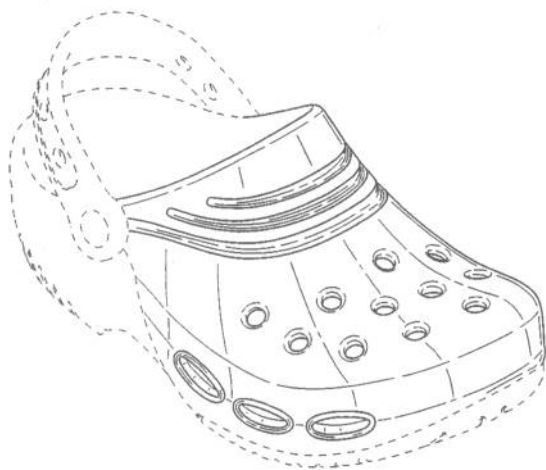
at one end of the cover to a free end of the other of the limbs, is hingeable between open and closed conditions respectively to expose and to cover the open end of the seat. The cover has a concave formation, which is internal when the cover is closed, to complement the U-shaped seat. An end opposed to the hinged end has an aperture arranged, when closed, to be aligned with said through aperture, also to pass the fastener.



Three - dimensional view (open)

21: A2007/01063. 22: 2 July 2007. 23: —.
DR: 2008-06-10.
52: Class 2. 24: Part A.
71: Crocs, Inc.
33: US. 31: 29/275,185. 32: 15 December 2006.
54: **Footwear and footwear uppers.**

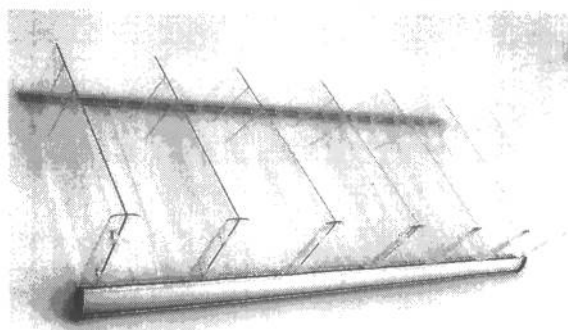
57: The design is for a footwear upper, particularly for a sandal. The upper includes an instep comprising a flattened top panel having a slightly convex upper surface, and an arcuate skirt which depends downwardly from the periphery of the top panel for connection to a sole. The top panel is provided with a cluster of circular holes while the skirt is provided on each side thereof with three elliptical openings arranged end-to-end in series.



Three dimensional view

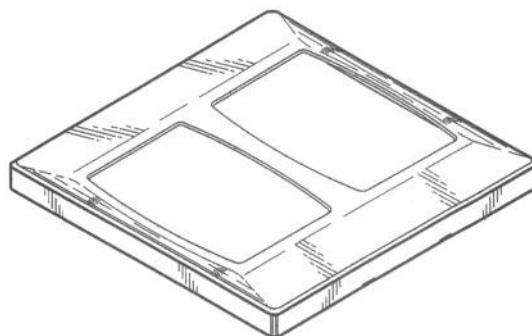
21: A2007/01028. 22: 12 June 2007. 23: —.
DR: 2008-06-09.
52: Class 20. 24: Part A.
71: Barrows Design and Manufacturing (Pty) Ltd.
33: —. 31: —. 32: —.
54: **Display devices.**

57: The novelty of the design for which protection is claimed resides in the shape and/or configuration of a display device substantially as shown, the overall width of the device between opposite ends and the spacing between partitions disposed between opposite ends being disclaimed as part of the design.



21: A2007/01064. 22: 13 June 2007. 23: —.
DR: 2008-06-10.
52: Class 13. 24: Part A.
71: Bardo, Robert Stoneham Andrew.
33: —. 31: —. 32: —.
54: **Surrounds for switched socket grid plates.**

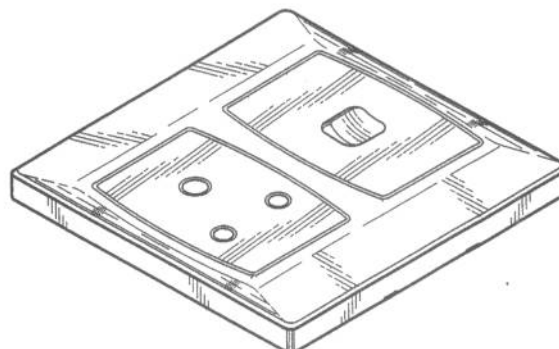
57: The design relates to a surround for a switched socket grid plate.



Three-dimensional View

21: A2007/01069. 22: 13 June 2007. 23: —.
DR: 2008-06-10.
52: Class 13. 24: Part A.
71: Bardo, Robert Stoneham Andrew.
33: —. 31: —. 32: —.
54: **Switched socket grid plates with surround.**

57: The design relates to a switched socket grid plate with surround.



Three-dimensional View